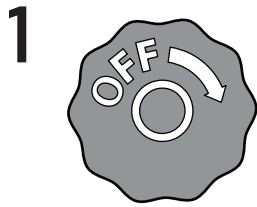


FILTRATION FAUCET



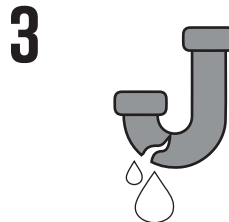
BEFORE YOU BEGIN YOUR INSTALLATION:



Turn off water supply.



Observe all local plumbing codes.

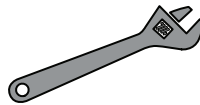


Inspect plumbing for signs of damage. Replace as necessary.



DO NOT use petroleum based products on this faucet.

REQUIRED TOOLS AND MATERIALS:



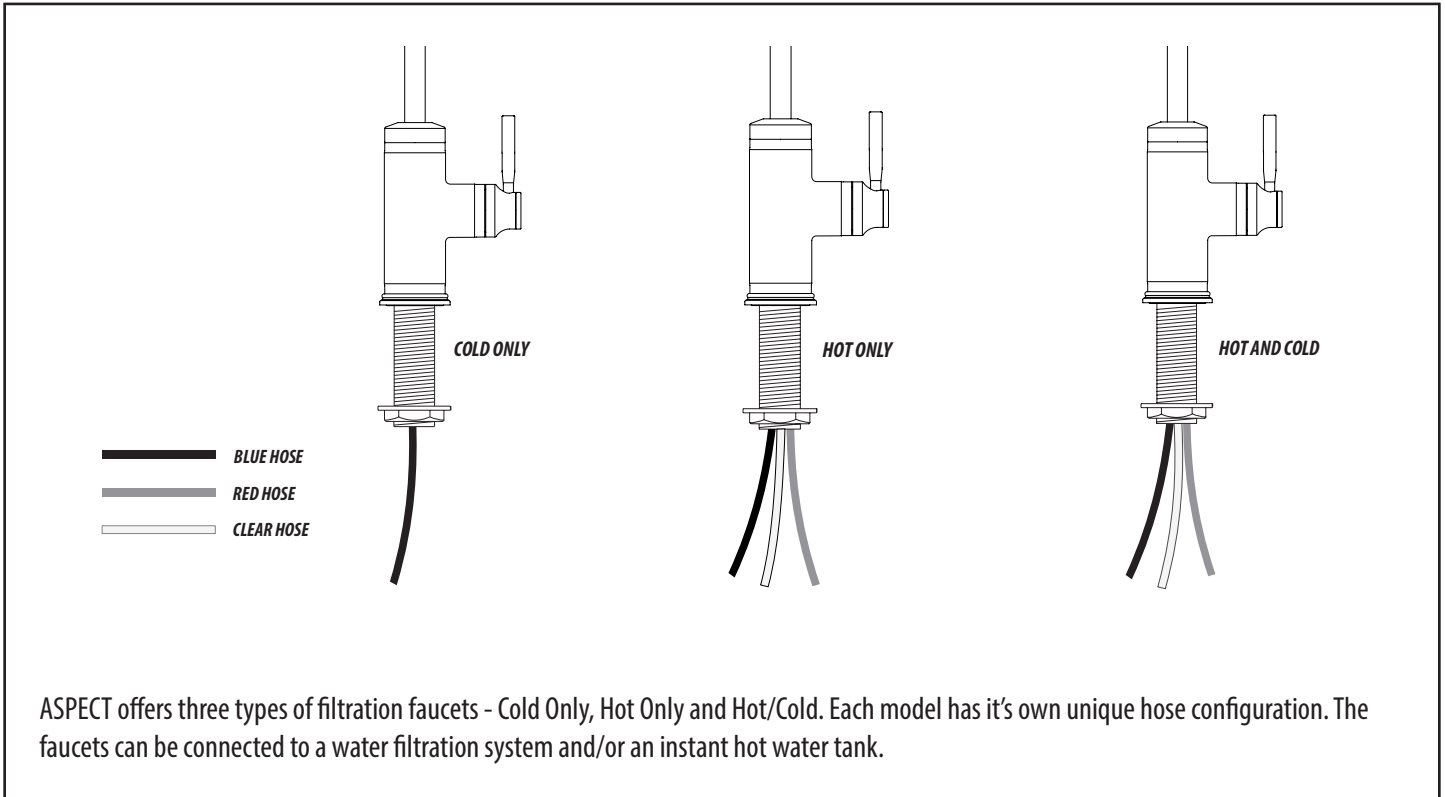
Adjustable Wrench

WARNING: Cancer and reproductive harm - see www.P65Warnings.ca.gov

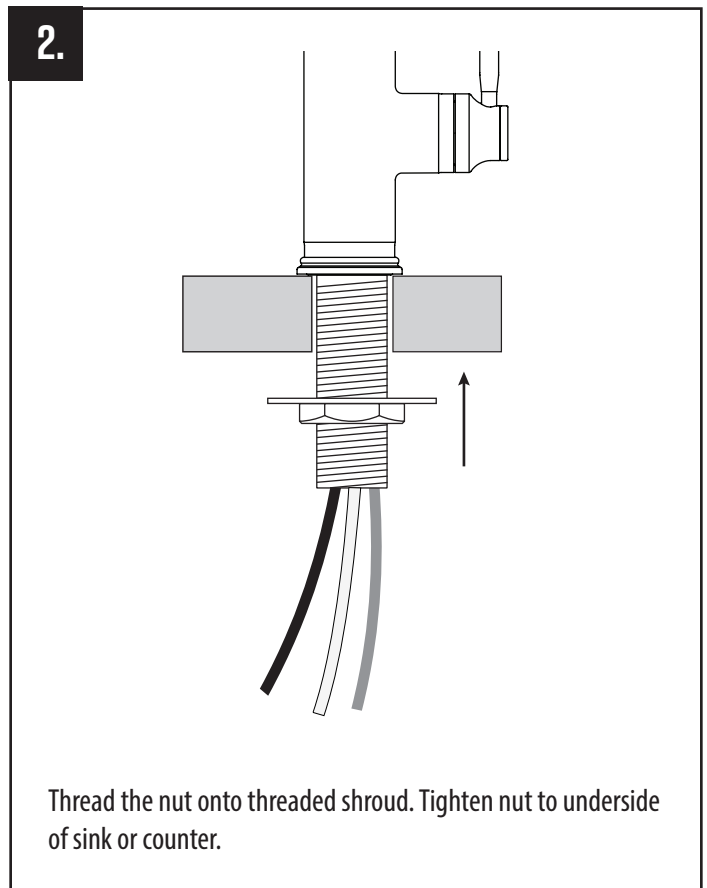
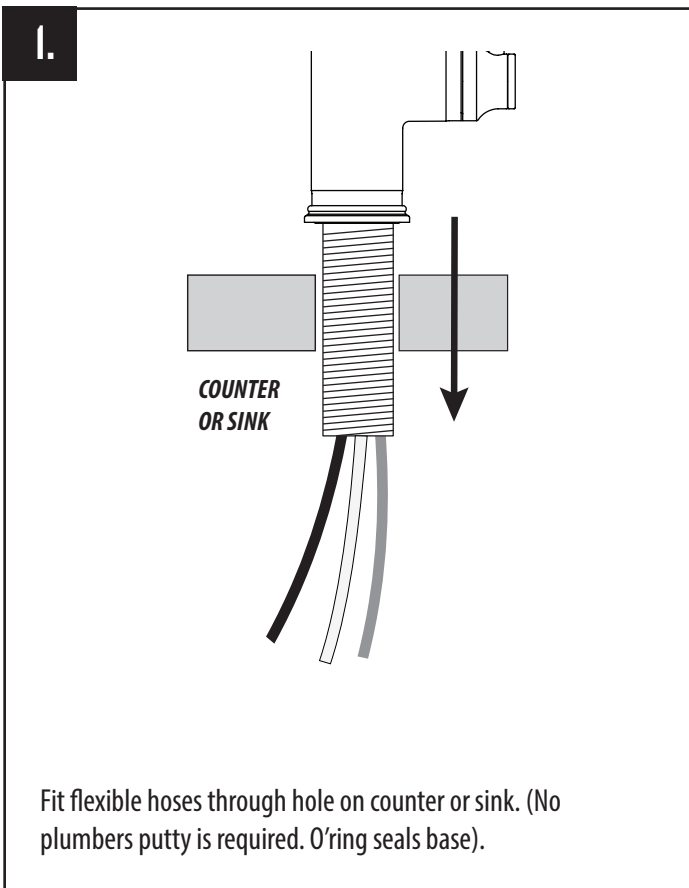
IMPORTANT!

- Read these instructions and plan the installation before beginning.
- A cold water supply is required for this product.
- Component location, spacing, and situational requirements can vary.

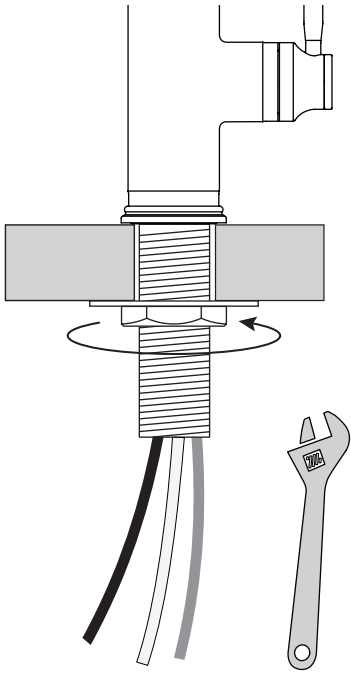
HOSE CONFIGURATIONS



FILTRATION FAUCET INSTALLATION



3.



Turn faucet to the desired handle position. Securely tighten nut with adjustable wrench.

ASPECT[™]
BY WATERSTONE

41180 Raintree Court, Murrieta, CA 92562
888-350-4725
www.aspectfaucets.com