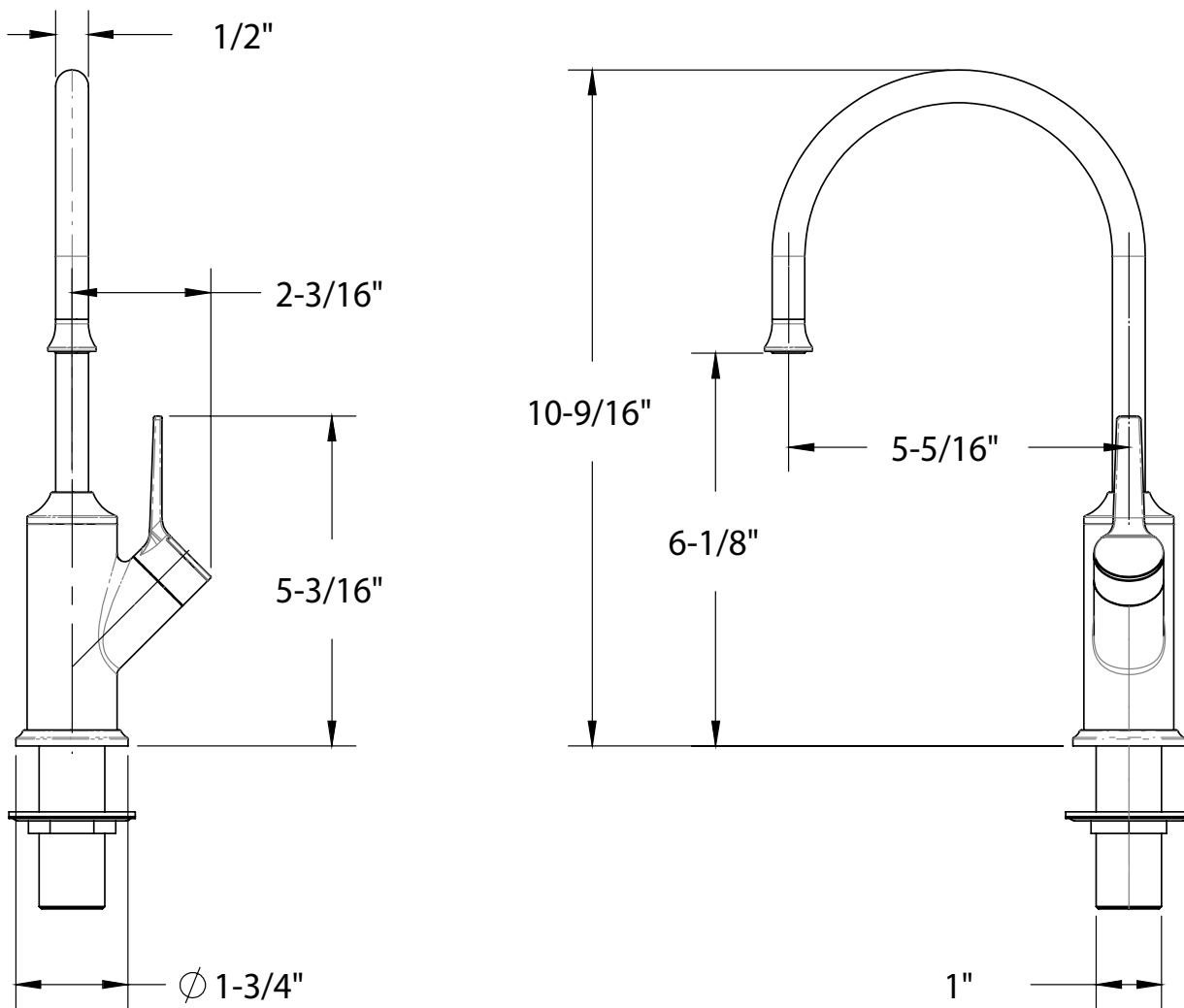


TRANSITIONAL FILTER Y BODY HOT & COLD, MACARI



\*DIMENSIONS MAY VARY AND ARE SUBJECT TO CHANGE. NO RESPONSIBILITY IS ASSUMED FOR USE OF SUPERCEDED OR VOIDED DATA